

**Industrial Ethernet
IE-TO-USB**

Weidmüller Interface GmbH & Co. KG
Klingenbergstraße 26
D-32758 Detmold
Germany
Fon: +49 5231 14-0
Fax: +49 5231 14-292083
www.weidmueller.com



Mounting rail outlet, USB coupling (A-A) design according to IEC 61076-3-107

General ordering data

Type	IE-TO-USB
Order No.	8946960000
Version	Terminal rail outlet, USB, IP20
GTIN (EAN)	4032248734955
Qty.	1 pc(s).

**Industrial Ethernet
IE-TO-USB**

Weidmüller Interface GmbH & Co. KG
 Klingenbergstraße 26
 D-32758 Detmold
 Germany
 Fon: +49 5231 14-0
 Fax: +49 5231 14-292083
 www.weidmueller.com

Technical data

Dimensions and weights

Net weight 38.3 g

Temperatures

Operating temperature, max.	70 °C	Operating temperature, min.	-40 °C
Operating temperature	-40 °C...70 °C	Temperature range, installation, min.	-25 °C
Temperature range, installation, max.	70 °C		

Environmental Product Compliance

REACH SVHC Lead 7439-92-1

General Info

Connection 1	USB A	Connection 2	USB A
Wiring	USB	Colour	Light Grey
Housing main material	PA UL 94 V0	Type of mounting	TS 35
Protection degree	IP20		

Standards

Connector standard IEC 61076-3-107

Classifications

ETIM 6.0	EC000313	ETIM 7.0	EC000313
eClass 9.0	27-44-03-20	eClass 9.1	19-17-01-25
eClass 10.0	27-44-03-20	UNSPSC	30-21-18-01

Approvals

Approvals



ROHS Conform

Downloads

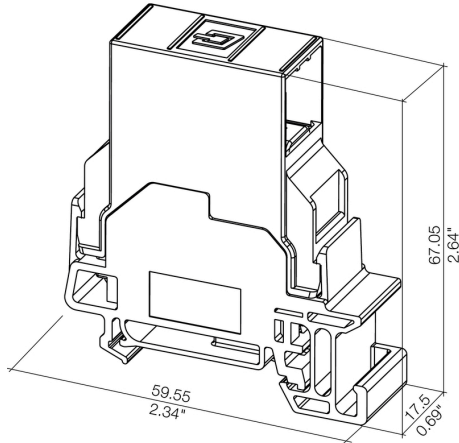
Brochure/Catalogue	CAT 9 IETH 18/19 EN MB FREECONCONTACT EN FL FIELDWIRING EN PI PROFINET CABLING EN
User Documentation	MAN IE GUIDE DE MAN IE GUIDE EN Manual

**Industrial Ethernet
IE-TO-USB**

Weidmüller Interface GmbH & Co. KG
Klingenbergstraße 26
D-32758 Detmold
Germany
Fon: +49 5231 14-0
Fax: +49 5231 14-292083
www.weidmueller.com

Drawings

Dimensioned drawing



Drawing

