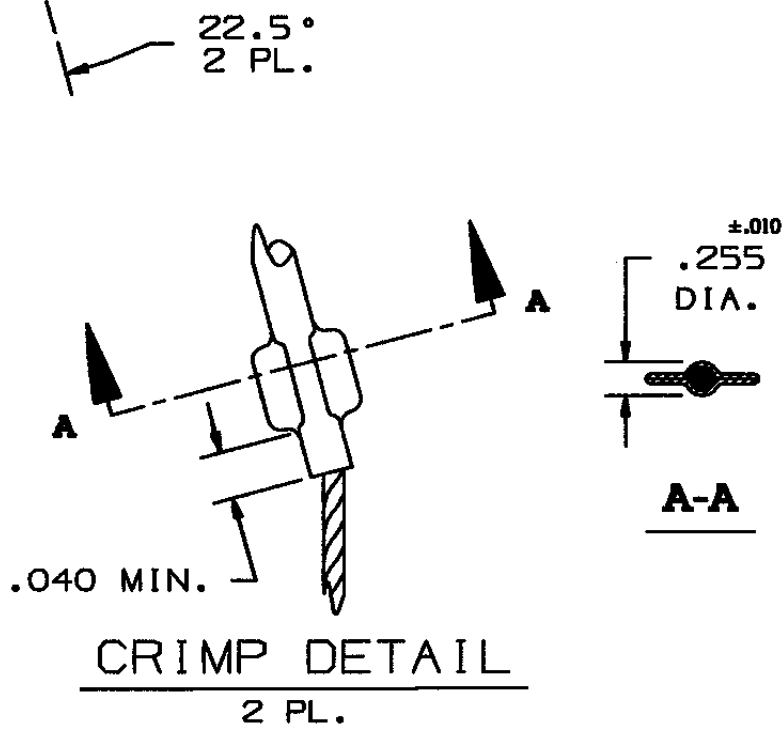
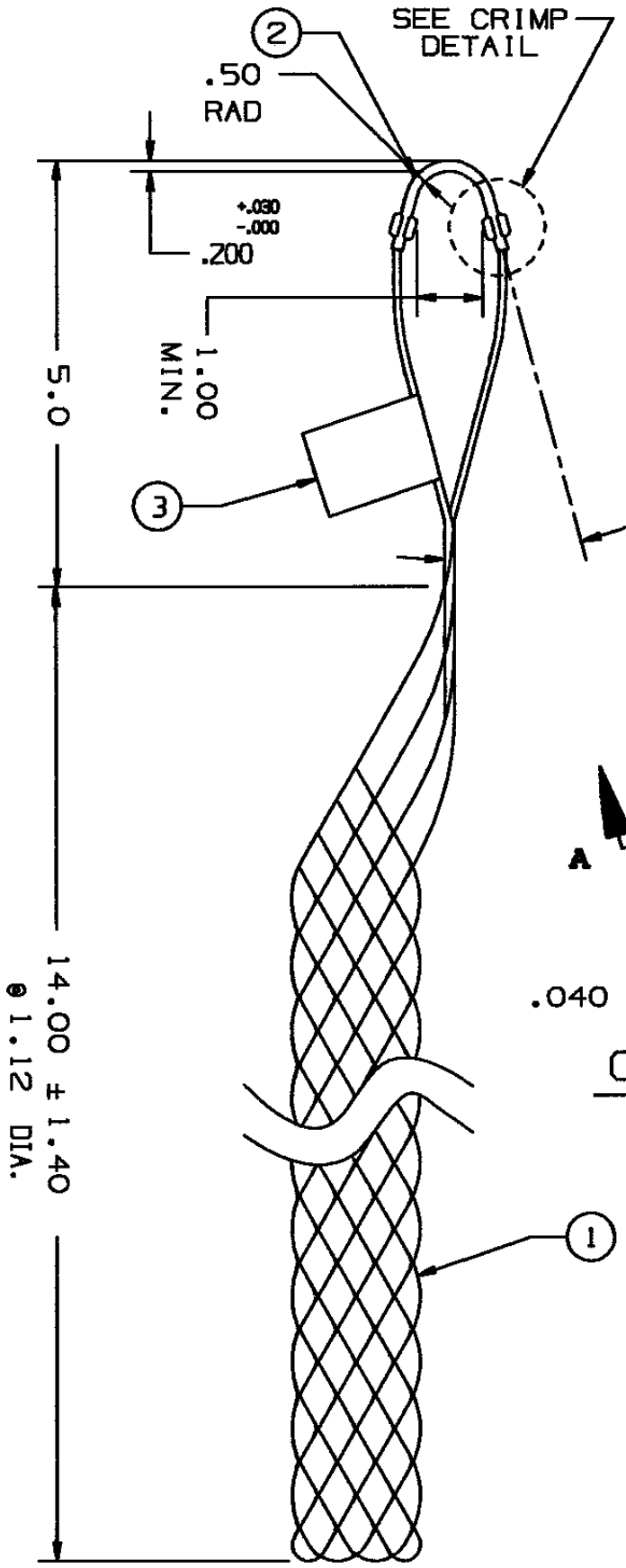


COMPONENT LIST

ITEM NO.	DESCRIPTION	MAT'L	COMPONENT NO.	QTY.
1	STRAND	T BRZ	302-01-005	-
2	EYE	CJ	342-43-005	1
3	TAG	MYLAR		1



IN ACCEPTING OUR DRAWINGS OR BLUEPRINTS FOR QUOTATION OR OTHER PURPOSES, YOU AGREE NOT TO DISCLOSE TO OTHERS THE IDEAS, INFORMATION, OR DESIGNS THEREIN SHOWN, AND THAT YOU WILL MAKE NO USE OF OUR DRAWINGS OR BLUEPRINTS OR OF THE IDEAS, INFORMATION, OR DESIGNS THEREIN SHOWN WITHOUT OUR PERMISSION.

TITLE GRIP, STD. SUPPORT CLOSED MESH, SINGLE WEAVE, SINGLE OFFSET EYE DIA. RA 1.00-1.24 APPROX BRK STR. 1500# ±20%

TOLERANCES UNLESS OTHERWISE SPECIFIED .X = ±.5 .XX = ±.05 .XXX = ±.015 ANGLE TOL. ± 2°	HUBBELL INCORPORATED KELLEMS DIVISION STONINGTON, CT	
PROJECT NO. / /	DR. BY FBR	APP. BY FES
	TR. BY	SCALE N/A
	CHK. BY FES	DATE 10-13-93

DR. NO. <b>022-01-041</b>	REV. <b>L</b>
------------------------------	------------------