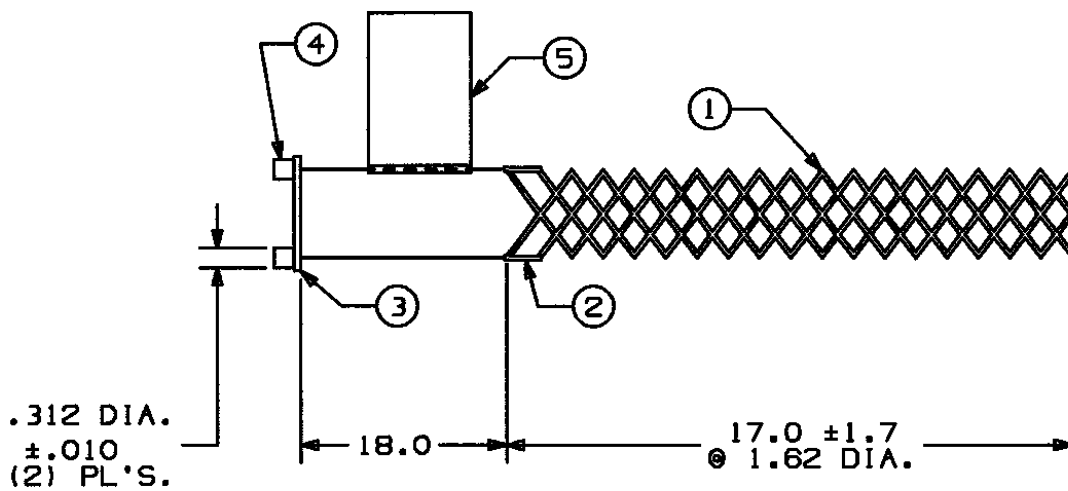


COMPONENT LIST

ITEM NO.	DESCRIPTION	MAT'L	COMPONENT NO.	QTY.
1	STRAND	T.B.	302-74-085	6
2	EQUALIZER	SST	304-48-008	2
3	LINK	BRZ	372-55-002	1
4	LUG	BRZ	372-56-012	2
5	TAG	MYLAR		1



IN ACCEPTING OUR DRAWINGS OR BLUEPRINTS FOR QUOTATION OR OTHER PURPOSES, YOU AGREE NOT TO DISCLOSE TO OTHERS THE IDEAS, INFORMATION, OR DESIGNS THEREIN SHOWN, AND THAT YOU WILL MAKE NO USE OF OUR DRAWINGS OR BLUEPRINTS OR OF THE IDEAS, INFORMATION, OR DESIGNS THEREIN SHOWN WITHOUT OUR PERMISSION.

TITLE GRIP - STANDARD SUPPORT
SINGLE WEAVE, CLOSED MESH
UNIVERSAL BALE DIA. RA. 1.50-1.74
DESCRIPTION: RU 150-1B
APP. BRK. STR. (LBS.) = 1610

TOLERANCES UNLESS OTHERWISE SPECIFIED
.X = ±.5
.XX = ±.05
.XXX = ±.015
ANGLE TOL. ± 2°

HUBBELL INCORPORATED
KELLEMS DIVISION
STONINGTON, CT

PROJECT NO.

DR. BY KJW	APP. BY MLF
TR. BY	SCALE NONE
CHK. BY JLW	DATE 3/19/93

DR. NO.

022-01-055

REV.

M