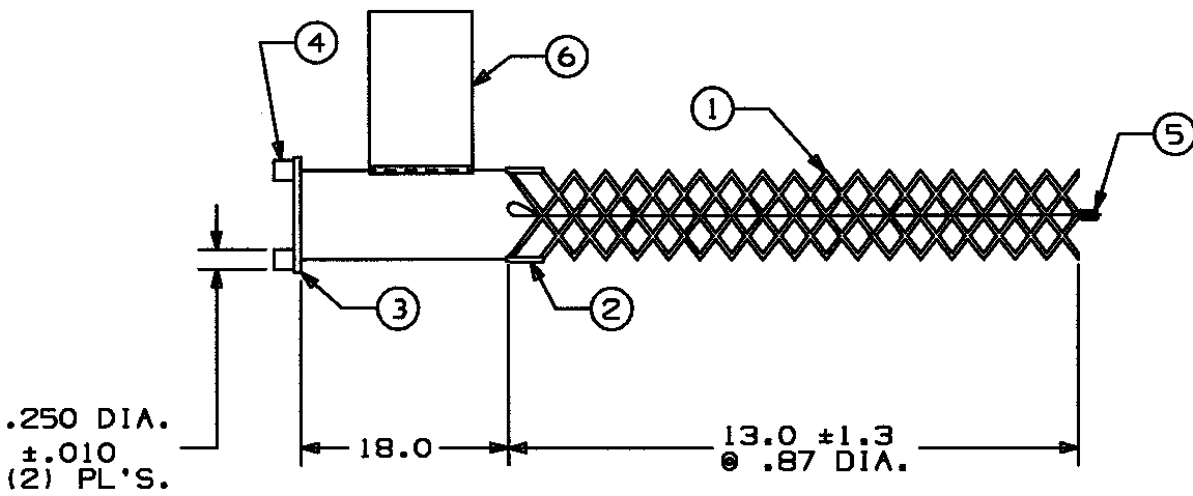


COMPONENT LIST

ITEM NO.	DESCRIPTION	MAT'L	COMPONENT NO.	QTY.
1	STRAND	T-BRZ	302-01-004	-
2	EQUALIZER	SST	304-48-007	2
3	LINK		372-55-001	1
4	LUG	BRZ	372-56-008	2
5	LACE	T-BRZ	302-74-002	1
6	TAG	MYLAR		1



IN ACCEPTING OUR DRAWINGS OR BLUEPRINTS FOR QUOTATION OR OTHER PURPOSES, YOU AGREE NOT TO DISCLOSE TO OTHERS THE IDEAS, INFORMATION, OR DESIGNS THEREIN SHOWN, AND THAT YOU WILL MAKE NO USE OF OUR DRAWINGS OR BLUEPRINTS OR OF THE IDEAS, INFORMATION, OR DESIGNS THEREIN SHOWN WITHOUT OUR PERMISSION.

TITLE GRIP-STANDARD SUPPORT
 SPLIT-LACE CLOSING, SINGLE WEAVE
 UNIVERSAL BALE DIA. RA. .75-.99
 DESCRIPTION: RSU-075-18
 APP. BRK. STR. (LBS.) = 1020

TOLERANCES UNLESS OTHERWISE SPECIFIED
 .X = ±.5
 .XX = ±.05
 .XXX = ±.015
 ANGLE TOL. ± 2°

HUBBELL INCORPORATED
 KELLEMS DIVISION
 STONINGTON, CT

PROJECT NO.
 / /

DR. BY KJW	APP. BY MLF
TR. BY	SCALE NONE
CHK. BY JLW	DATE 3/01/93

DR. NO. 022-02-052	REV. N
----------------------------------	----------------------