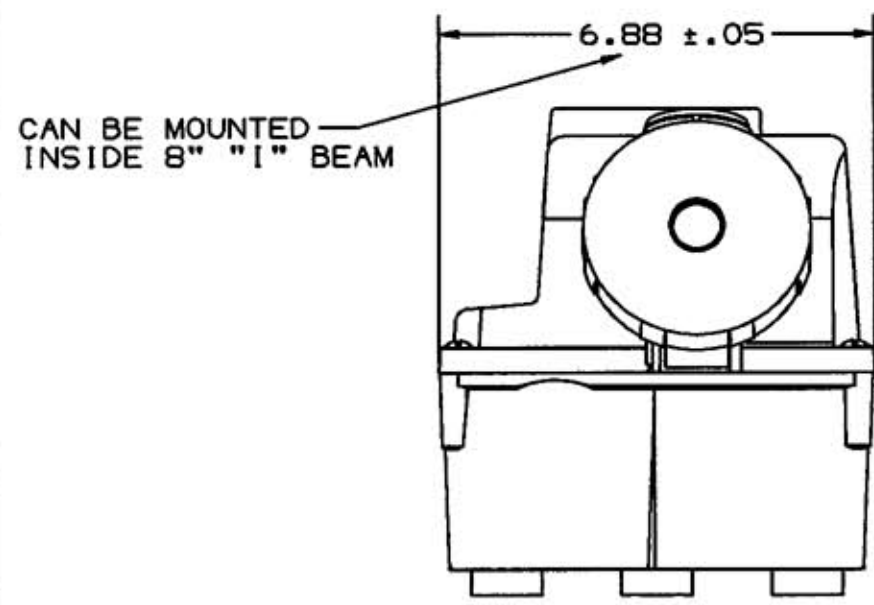
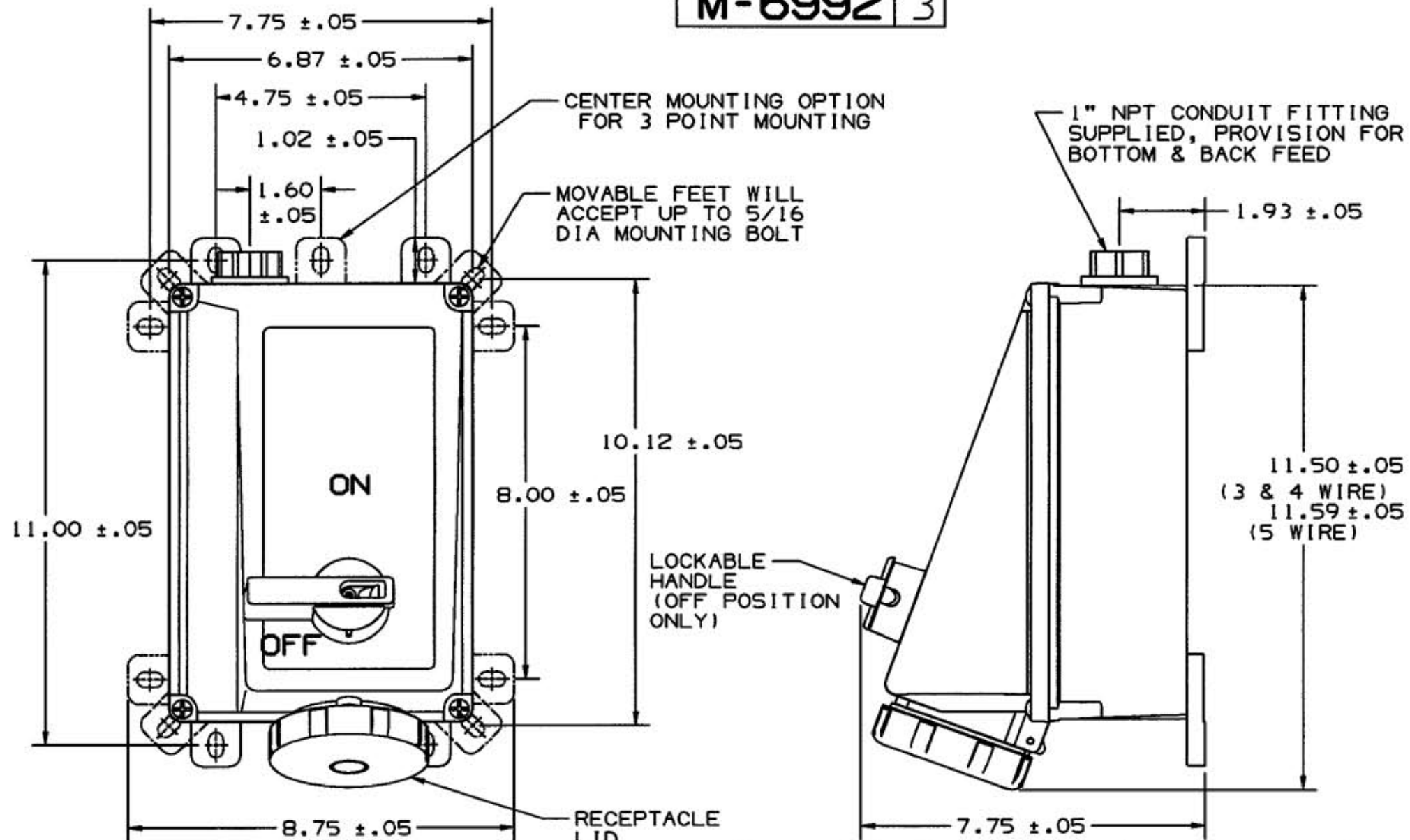


M-6992 3



CAT. NOS.	AMPS	RATING	HORSEPOWER	POLES	WIRES
HBL330M14W	30	120VAC	2	2	3
HBL330M16W	30	240VAC	3 (208-240VAC)	2	3
HBL330M17W	30	480VAC	7.5	2	3
HBL430M15W	30	600VAC 3φ	20	3	4
HBL430M17W	30	480VAC 3φ	15	3	4
HBL430M19W	30	240VAC 3φ	7.5	3	4
HBL430M112W	30	120/240VAC	3 (208-240VAC L-L)	3	4
HBL430M15WR	30	600VAC 3φ	20	3	4
HBL430M17WR	30	480VAC	15	3	4
HBL430M19WR	30	240VAC 3φ	7.5	3	4
HBL432M13W	32	380VAC 3φ 50Hz 440VAC 3φ 60Hz	15 (440VAC 60Hz)	3	4
HBL530M15W	30	347/600VAC 3φ Y	20	4	5
HBL530M17W	30	277/480VAC 3φ Y	15	4	5
HBL530M19W	30	120/208VAC 3φ Y	5	4	5

- NOTES:
- ENCLOSURE TYPE 4X & 12K
 - UL 508 LISTED & CSA CERTIFIED
 - RECEPTACLE IS IEC 309-1 & 2 PIN & SLEEVE

DESCRIPTION	MATERIAL	FINISH
ALL EXTERNAL PLASTIC PARTS	UV STABILIZED POLYESTER BLEND	
ALL EXTERNAL SCREWS	STAINLESS STEEL	
THREADED HUB	DIE CAST	
INSULATED THROAT	ZINC	

SYM	REVISIONS	APP	DATE
3	ADDED TOL TO ALL DIMS PER DCN #7793.	DB	7/27/00
2	ADDED CATALOG NUMBERS FOR REVERSE SERVICE & "HBL" PREFIX PER DCN 6500 CAC	CAC	12/28/98
1	RELEASED PER DCN #1088	RCM	2/11/92

THE DESIGN AND DIMENSIONS OF THE PRODUCT SHOWN ON THIS DRAWING ARE SUBJECT TO CHANGE WITHOUT NOTICE

TITLE
DIMENSION SHEET FOR 30A MECHANICAL INTERLOCK

TOLERANCES UNLESS OTHERWISE SPECIFIED	WIRING DEVICE-KELLEMS HUBBELL INCORPORATED BRIDGEPORT, CT	
FRACTIONS ± 1/64	DR. BY RCM	APP. BY
DECIMALS ± .005	TR. BY	SCALE #
ANGLES ± 22°	CHK'D BY	DATE 2/11/92

DIMENSION SHEET FOR CAT. NO. SEE TABLE REPAIRABLE NON-REPAIRABLE B M-6992 3