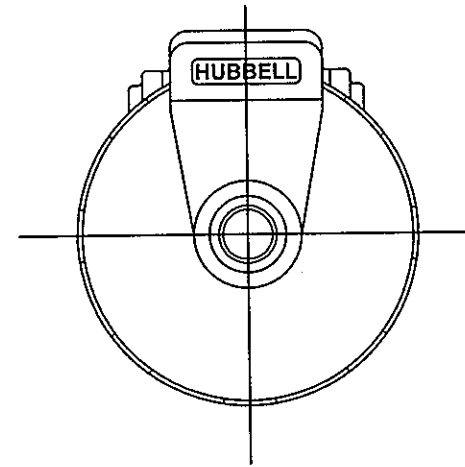
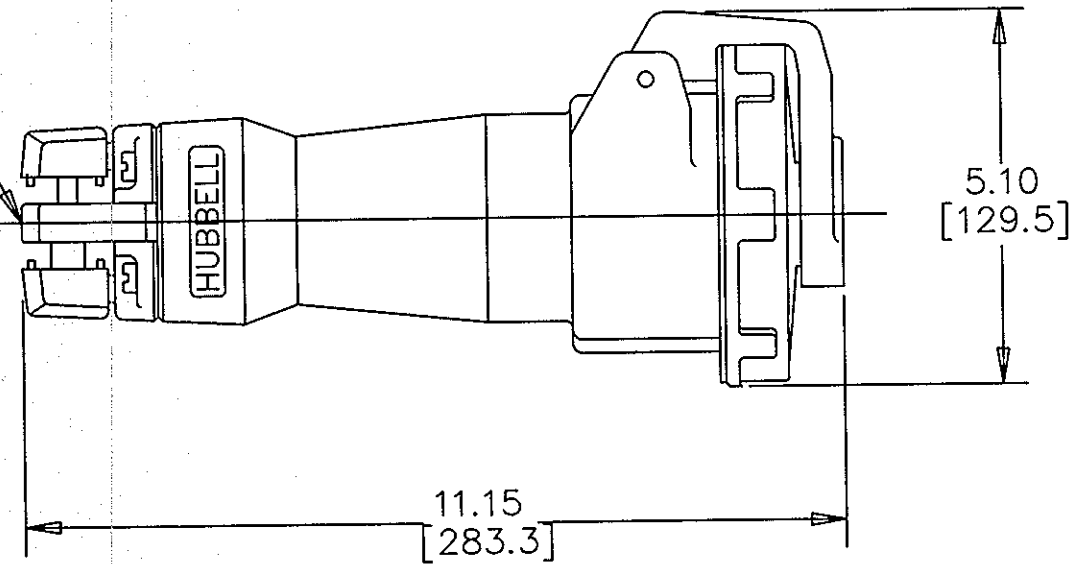


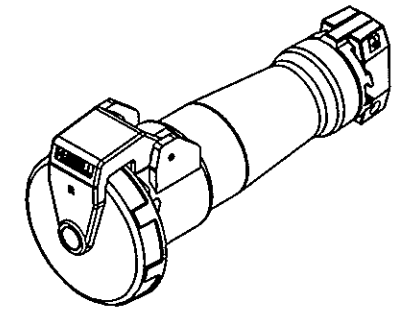
M-6076 6

CABLE
 Ø .500 MIN.
 [12.70]
 Ø 1.450 MAX.
 [36.83]



LIST OF PARTS

DESCRIPTION	MATERIAL	FINISH
HOUSING	SEE TABLE	
INTERIOR	THERMOSET	
SLEEVES	BRASS	
INSERT SPRINGS	BERR COPPER	SILVER
TERMINAL SCREWS	ST. STEEL	
COVER	POLYESTER	
COVER SCREW	BRASS	NICKEL
COVER SPRING	ST. STEEL	
GASKET	RUBBER	
DISC	POLYCARBONATE	
ARM	POLYESTER	
HINGE PIN	ST. STEEL	
HINGE SPRING	ST. STEEL	
GLAND CAP	POLYESTER	
GLANDS	RUBBER	
CLAMPS	POLYESTER	
CLAMP NUTS	BRASS	NICKEL
ASSEMBLY SCREWS	ST. STEEL	



CATALOG NO. HBL460C9W
 (NOT SHOWN TO SCALE)

CAT. NO.	CONFIGURATION	RATING	HOUSING		CAT. NO.	CONFIGURATION	RATING	HOUSING	
			COLOR	MATERIAL				COLOR	MATERIAL
					HBL460C7W		60A 3Ø 480 VAC	RED	NYLON
HBL460C6V02		60 A 380 VAC 63 A 380-415 VAC	RED	VALOX	HBL460C9W		60A 3Ø 250 VAC	BLUE	NYLON
HBL460C5WS		60A 3Ø 600VAC PILOT CONTACT A600	BLACK	NYLON	HBL460C9V05		60A 3Ø 250 VAC	BLUE	VALOX
HBL460C5W		60A 3Ø 600VAC	BLACK	NYLON					
HBL463C6W		63 AMP 380-415 VAC	RED	NYLON	HBL460C12W		60A 125/250 VAC	ORANGE	NYLON

6	ADDED ISO VIEW TO INDICATE SOLID MODEL EMBEDDED IN DRAWING. PER DCN 21895 DDL	DJP	02/22/16
SYM	REVISIONS	APP	DATE

THE DESIGN AND DIMENSIONS OF THE PRODUCT SHOWN ON THIS DRAWING ARE SUBJECT TO CHANGE WITHOUT NOTICE

TITLE
 60A & 63A 3 POLE 4 WIRE PIN & SLEEVE CONNECTORS

TOLERANCES UNLESS OTHERWISE SPECIFIED .XX = ± .01 .XXX = ± .005 ANGLES = ± 2'	WIRING DEVICE--KELLEMS HUBBELL INCORPORATED SHELTON, CT	
	DR. BY MJK	APP. BY
	TR. BY	SCALE NONE
	CHK'D BY	DATE 04/29/80

DIMENSION SHEET FOR CAT. NO. SEE TABLE
 REPAIRABLE NON-REPAIRABLE
 B
 M-6076
 6