

## Wallplates

# Weatherproof Covers for Receptacles For FS/FD Box Mounting

# HUBBELL

## Features

- Corrosion resistant, yellow thermoplastic

## Ordering Information

Description	Color	UPC	Catalog Number
For use with 50A Twist-Lock® single receptacles, suitable for wet and damp locations with cover "open"	Yellow	783585809472	HBL77CM74WO

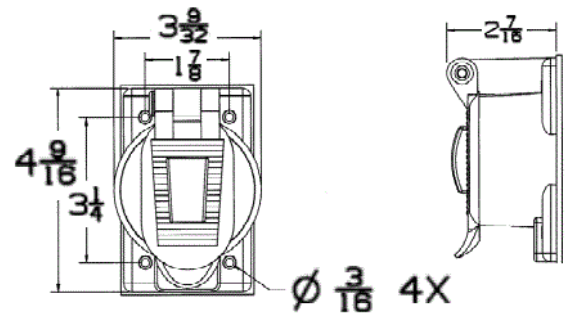
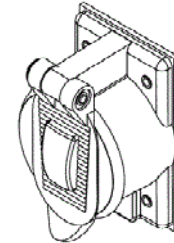


## Standards

UL Listed - Canadian and U.S.

## Specifications

Material	Thermoplastic
Gasket	Neoprene
Spring	Stainless steel



## Online Resources

Customer Use Drawing  
eCatalog  
Installation Instructions

Dimensions in Inches (mm)

Hubbell Wiring Device-Kellems • Hubbell Incorporated (Delaware) • 40 Waterview Drive • Shelton, CT 06484

Phone (800) 288-6000 • Fax (800) 255-1031 • Specifications subject to change without notice.

