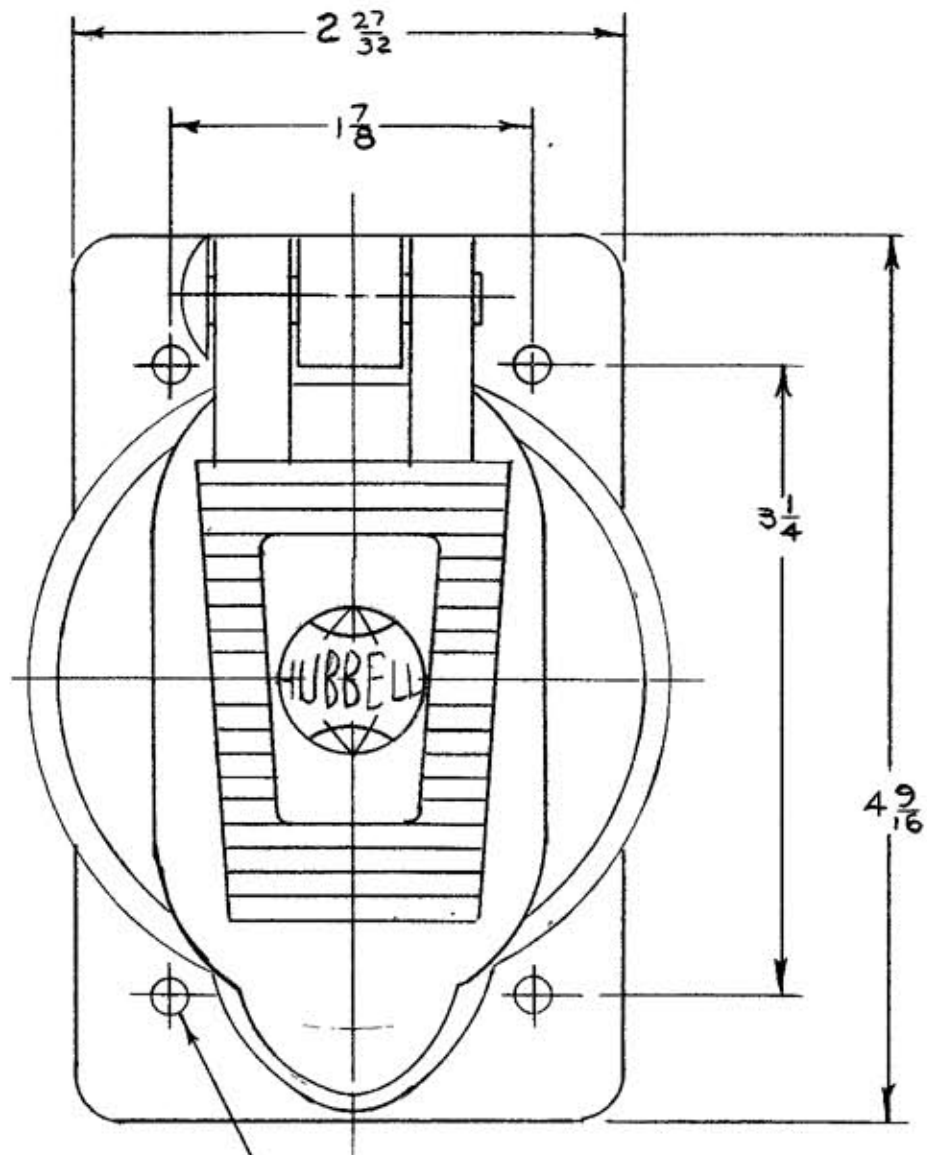
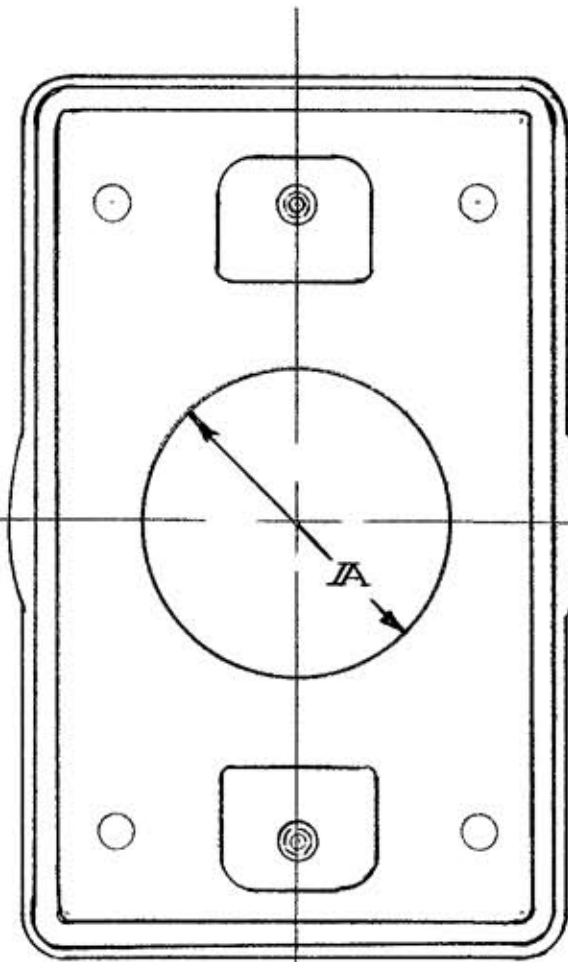
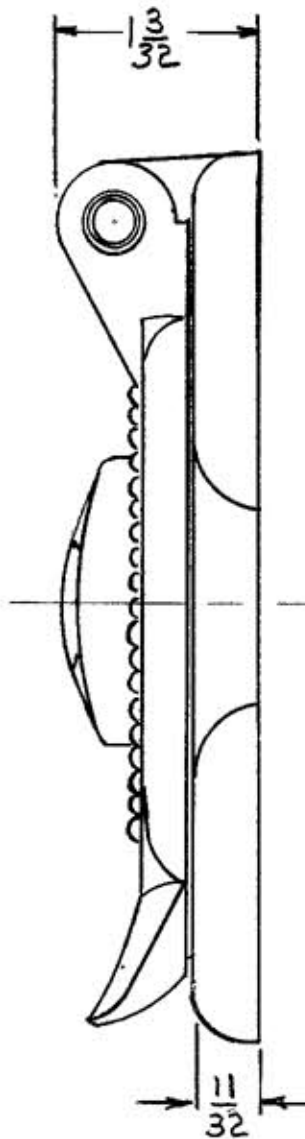


M-2790

2



$\frac{3}{16}$ DIA. 4 HOLES



CAT. NO.	DIM "A"
HBL7420	1 19/32
HBL9420	2 1/8
HBL3393	1 47/64
HBL9425	2 1/8

LIST OF PARTS

DESCRIPTION	MATERIAL	FINISH
OUTLET BOX COVER	CAST ALUM	LACQUER
FLAP	CAST ALUM	LACQUER
GASKETS	NEOPRENE	
MOUNTING SCRS.	STEEL	ZINC PL
SPRING	ST. STEEL	PASSIVATE
HINGE PIN	ALUMINUM	MOLYKOTE
RETAINING RING	ST. STEEL	PASSIVATE
SPACER (HBL9425)	CRS	ZINC PL

SYM	REVISIONS	APP	DATE
2	ADDED CAT NO. HBL9425, 2 1/8 TO CHART. ADDED HBL TO ALL CAT NOS. IN CHART PER DCN# 12101 GDR DP		1/5/04
1	SPRING MATL. WAS LEAD COAT HINGE PIN MATL. WAS MOLYKOTE ADDED RETAINING RING HBL CSC		3-6-90

SUPERCEDES DWG. DATED 7-23-52

THE DESIGN AND DIMENSIONS OF THE
PRODUCT SHOWN ON THIS DRAWING ARE
SUBJECT TO CHANGE WITHOUT NOTICE

TITLE

WEATHERPROOF LIFT COVER
PLATE

TOLERANCES UNLESS
OTHERWISE SPECIFIED
FRACTIONS ± 1/64
DECIMALS ± .005
ANGLES ± 2°

WIRING DEVICE DIVISION
HARVEY HUBBELL, INC.
BRIDGEPORT, CONN.

DR BY RAR APP. BY
TR BY SCALE FULL
CHK'D. BY J. C. H. DATE 9-17-68

REPAIRABLE NON-REPAIRABLE

B

M-2790

2