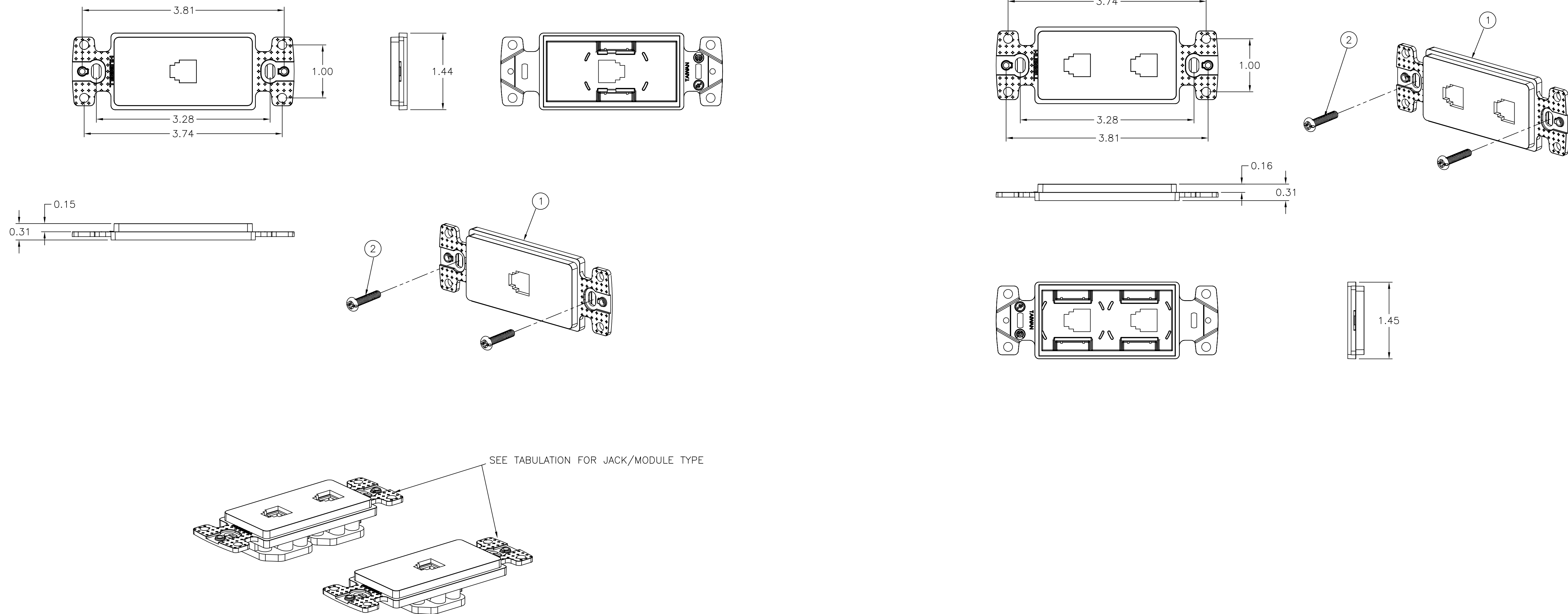


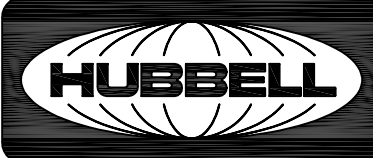
CATALOG NUMBER	COLOR	DESCRIPTION
NS770	BROWN	1 JACK 6P4C
NS770I	IVORY	1 JACK 6P4C
NS770W	WHITE	1 JACK 6P4C
NS770AL	ALMOND	1 JACK 6P4C
NS770GY	GRAY	1 JACK 6P4C
NS770BK	BLACK	1 JACK 6P4C
NS771	BROWN	1 JACK 6P6C
NS771I	IVORY	1 JACK 6P6C
NS771W	WHITE	1 JACK 6P6C
NS772	IVORY	2 JACK 6P6C
NS772W	WHITE	2 JACK 6P6C
NS770LA	LIGHT ALMOND	1 JACK 6P4C
NS771AL	ALMOND	1 JACK 6P6C
NS771LA	LIGHT ALMOND	1 JACK 6P6C
NS772AL	ALMOND	2 JACK 6P6C
NS772LA	LIGHT ALMOND	2 JACK 6P6C

ITEM NO.	DESCRIPTION	QTY.
1	PHONE JACK FRAME(SEE TABULATION)	1
2	6-32 X 7/8" TRI-DRIVE SCREW	2

NOTES
UNLESS OTHERWISE SPECIFIED:
1. UL LISTED: E129878
2. CSA CERTIFIED: LR 80837
3. SPECIFICATIONS SUBJECT TO CHANGE WITHOUT NOTICE



REV.	ECN	DATE	DESCRIPTION	CHG BY	APPD BY
C	6116	06/06/07	ADDED NS771AL, NS771LA, NS772AL, AND NS772LA	BTM	
B	5914	08/14/06	ADDED LIGHT ALMOND - NS770LA	NJR	MMA
A	5813	03/10/06	INITIAL RELEASE	NJR	NH

Created on AUTOCAD	DIMENSIONING AND TOLERANCE PER ANSI Y14.5M-1982 UNLESS OTHERWISE SPECIFIED, DIMENSIONS ARE IN INCHES (MM). TOLERANCES .XX = ±.01 (.25) .XXX = ±.005 (.127) .XXXX = ±.0025 (.0635) ANGLE TOL ±1°		PROJECT REFERENCE:	 Hubbell Premise Wiring HUBBELL INCORPORATED (Delaware) 14 Lord's Hill Road, Stonington, Connecticut 06378
	IN ACCEPTING OUR DRAWINGS, BLUEPRINTS, OR SUPPORTING DOCUMENTATION FOR QUOTATION OR OTHER PURPOSES, YOU AGREE NOT TO DISCLOSE TO OTHERS THE IDEAS, INFORMATION, OR DESIGNS SHOWN HEREIN, AND THAT YOU WILL MAKE NO USE OF SAME WITHOUT PERMISSION		MATERIAL:	
		DRAWN BY: NANCY RICHARDS 03/10/06	CHECKED BY: N. HERRING 03/10/06	SIZE: D DRAWING NO.: CHWS12277
		APPROVED BY: M.M. ABBY 03/10/06		SCALE: 1/1 SHEET 1 OF 1