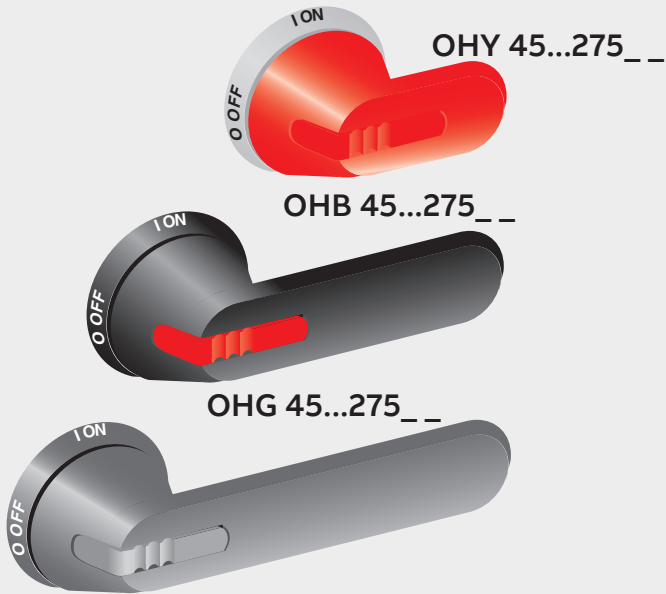


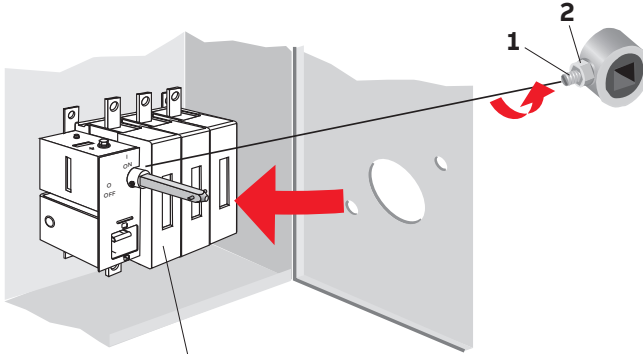
INSTALLATION INSTRUCTION

Handles

OH45-275E1

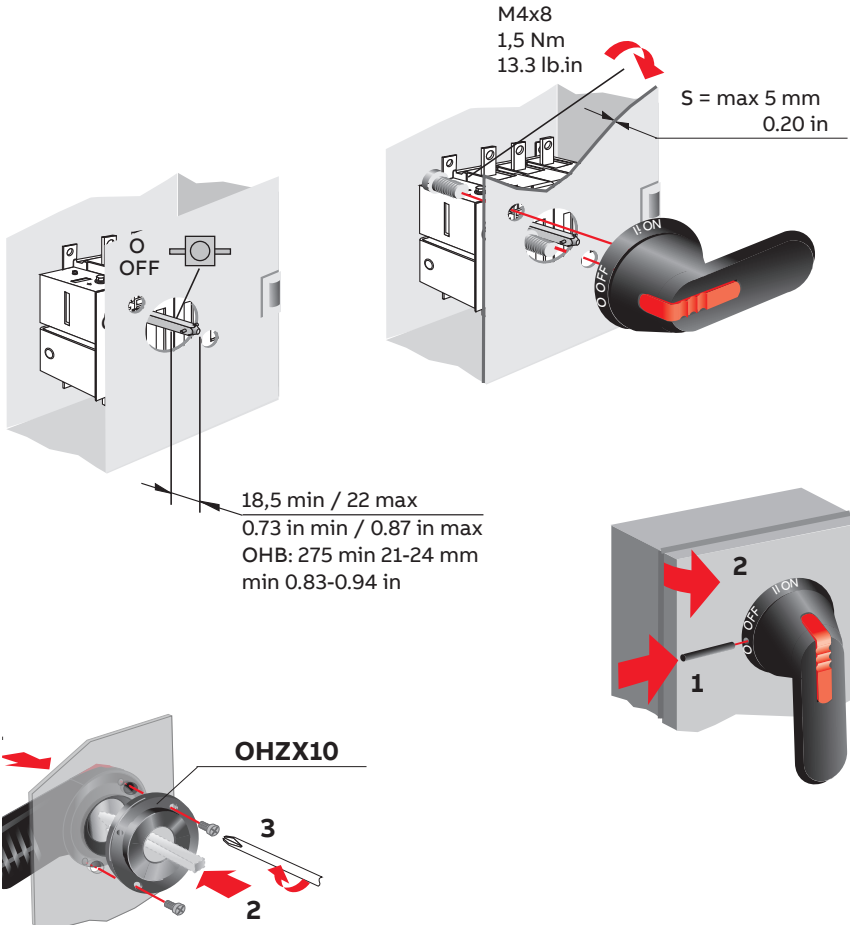


OH45-275E1



	1 Nm / lb.in	2 Nm / lb.in
OETL 200-315	1 / 8.9	1 / 8.9
OETL 400-1600	5 / 44.5	4 / 35.6
OESA 32-160	1 / 8.9	
OESA 200-800	5 / 44.5	4 / 35.6
OS 20-160	1.6-1.8 / 14-16	
OT 16-125	0.8 / 7.1	
OT 16-125 E6-8	1,6 - 1,8 / 14-16	
OT 160	1 / 8.9	

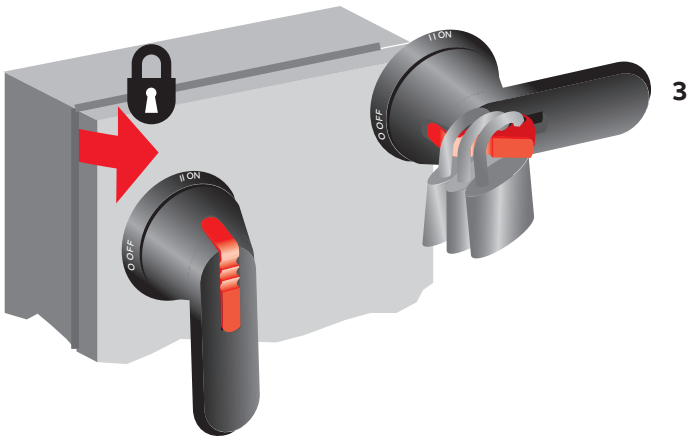
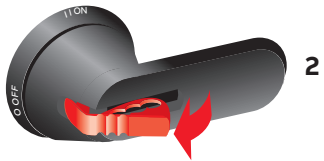
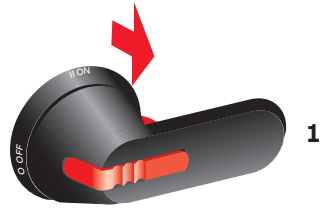
OH45-275E1



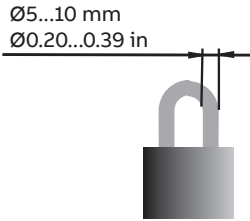


OH45-275E1

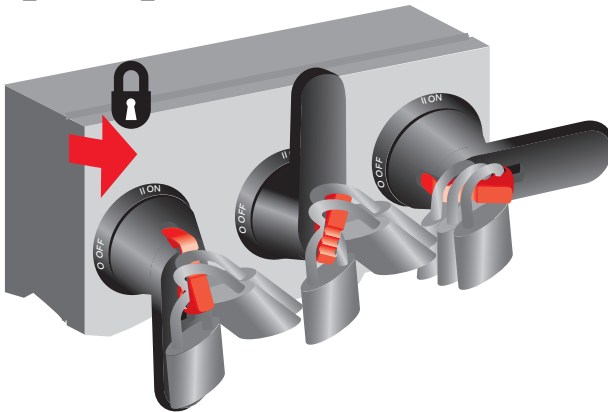
OH_45...275_E011
OH_45...275_E421



OH45-275E1



OH_45...275_E311



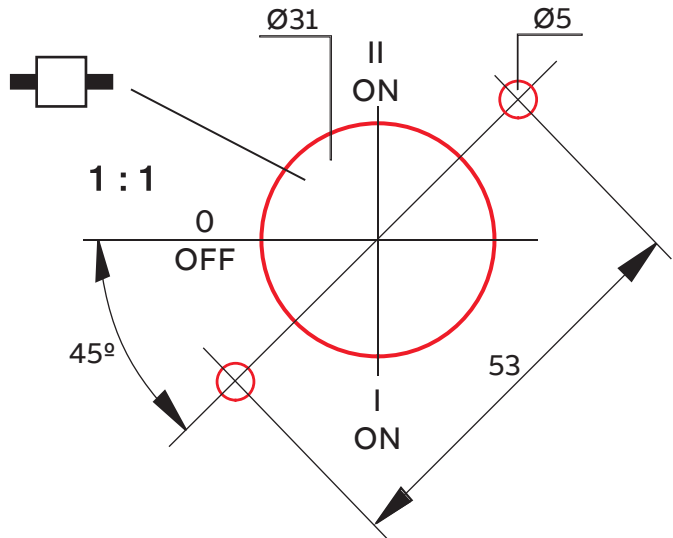
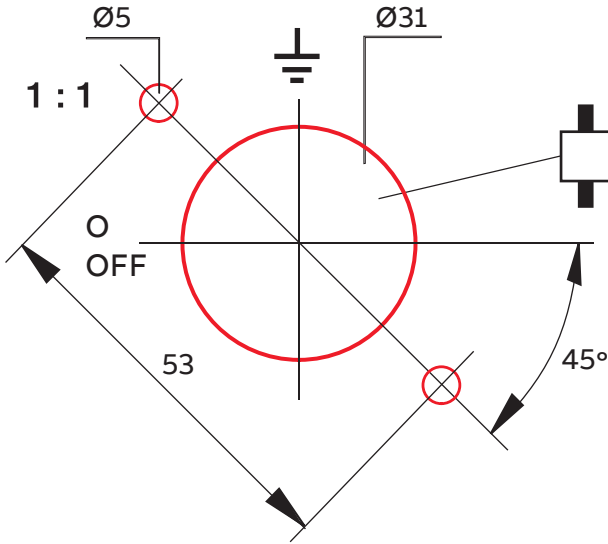
OH_45...275_E011

OH_45...275_E311

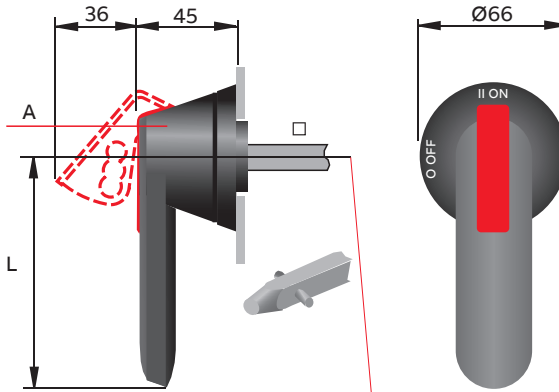
OH_45...275_E421



OH45-275E1



OH45-275E1



A	L	□
OHB 45J5E_	45	5
OHB 45J6E_	45	6
OHB 45J10E_	45	10
OHB 65J5E_	65	5
OHB 65J6E_	65	6
OHB 65J8E_	65	8
OHB 65J10E_	65	10
OHB 80J6E_	80	6
OHB 80J8E_	80	8
OHB 80J10E_	80	10
OHB 95J10E_	95	10
OHB 95J12E_	95	12
OHB 125J10E_	125	10
OHB 125J12E_	125	12
OHB 145J12E_	145	12
OHB 175J12E_	175	12
OHB 275J12E_	275	12

J = IP65, UL/NEMA Type 1, 3R, 12
 H = IP54, L = UL/NEMA Type 4, 4X

B = ■ Y = ■ G = ■



Contact us

ABB Oy
Protection and Connection
P.O. Box 622
FI-65101 Vaasa
Finland

abb.com/lowvoltage