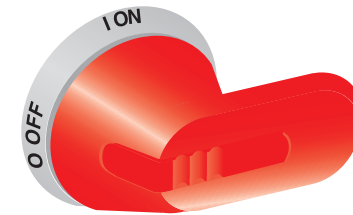


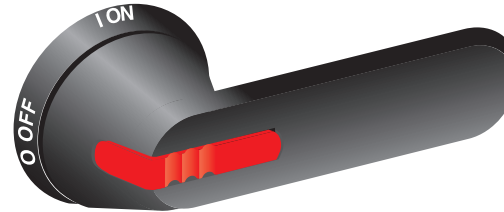
OH_ Installation instruction



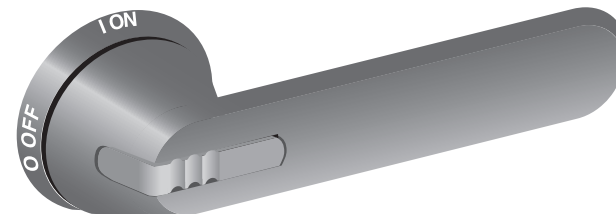
Label should be affixed to the rear mounting surface immediately adjacent the handle after installation.



OHY 45...275_ _

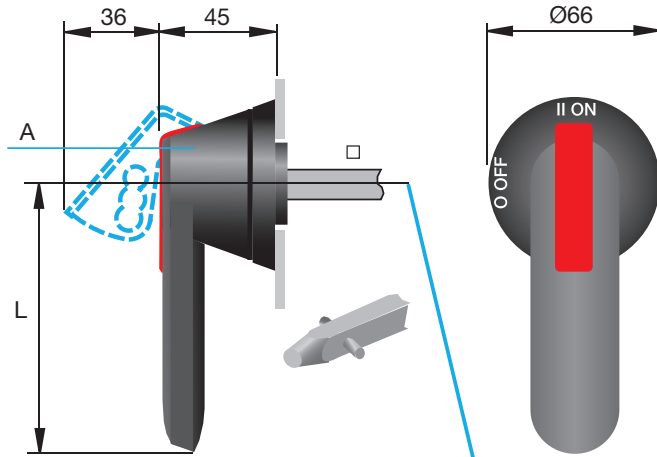


OHB 45...275_ _



OHG 45...275_ _

A00200A



A	L	□
OHB 45J6	45	6
OHB 45J10	45	10
OHB 65J6	65	6
OHB 65J8	65	8
OHB 65J10	65	10
OHB 80J6	80	6
OHB 80J8	80	8
OHB 80J10	80	10
OHB 95J10	95	10
OHB 95J12	95	12
OHB 125J10	125	10
OHB 125J12	125	12
OHB 145J12	145	12
OHB 175J12	175	12
OHB 275J12	275	12

J = IP65, UL/NEMA Type 1, 3R, 12
H = IP54, L = UL/NEMA Type 4, 4X

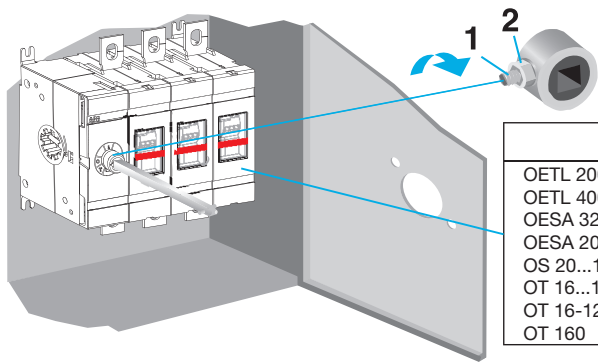
B = ■ Y = ■ G = ■

A00199A

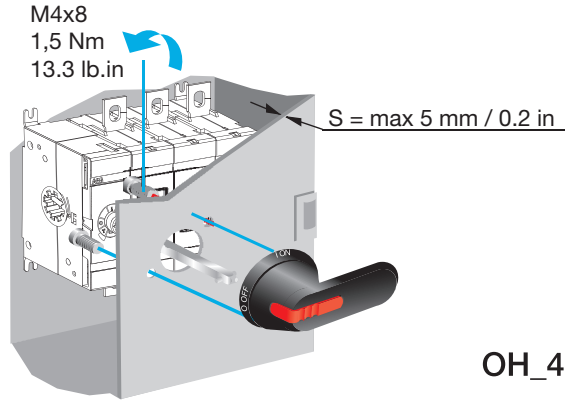
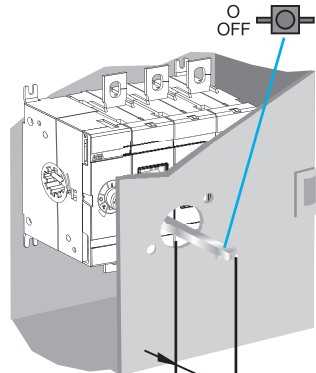
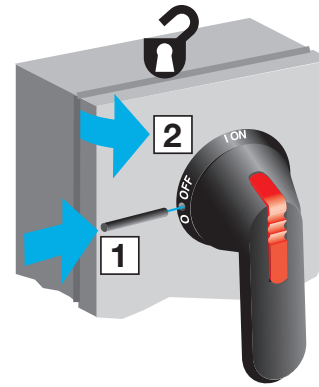
Protected by ABB Oy, Protection and Connection, Vaasa, Finland

For more information please contact:

ABB Oy, Protection and Connection
P.O. Box 622, FI-65101 Vaasa, Finland
new.abb.com/low-voltage



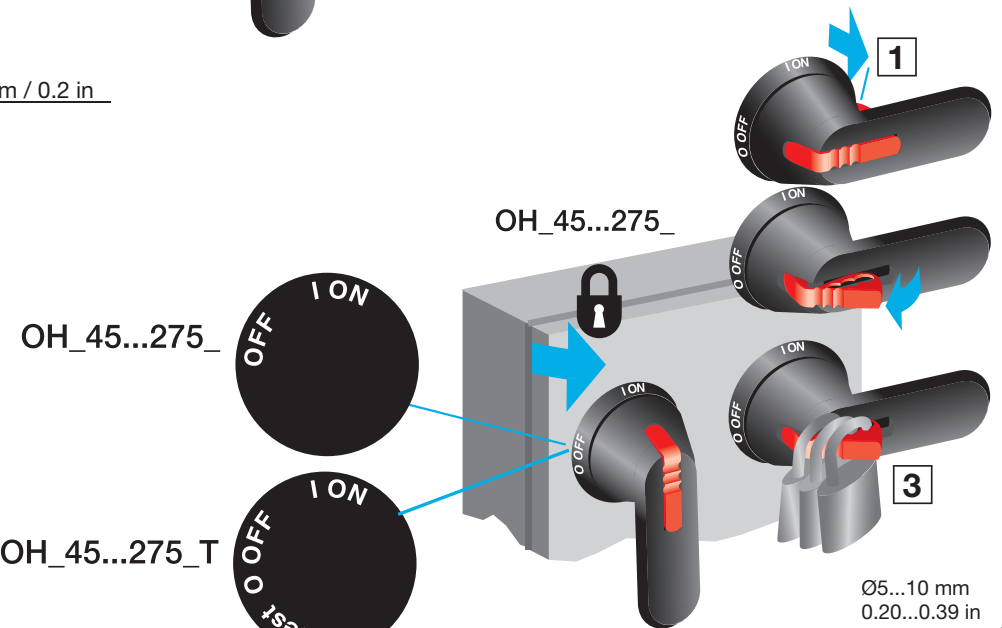
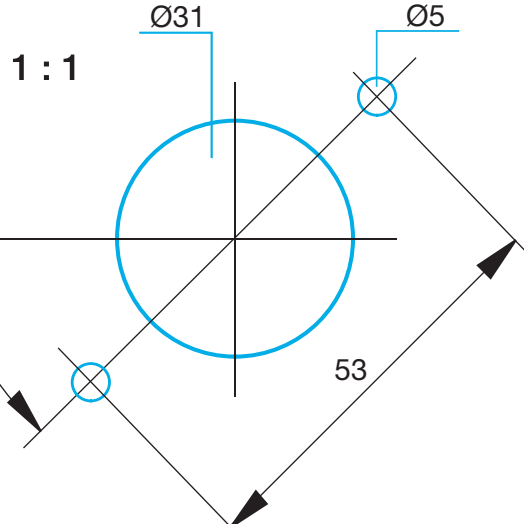
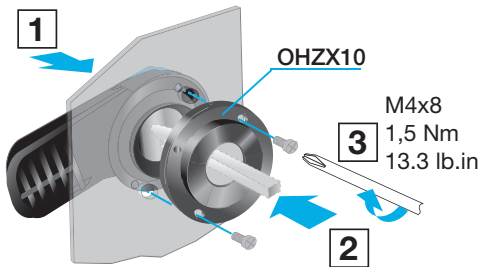
	1 Nm / lb.in	2 Nm / lb.in
OETL 200...315	1 / 8.9	1 / 8.9
OETL 400...1600	5 / 44.5	4 / 35.6
OESA 32...160	1 / 8.9	
OESA 200...800	5 / 44.5	4 / 35.6
OS 20...160	1,6-1,8 / 14-16	
OT 16...125	0,8 / 7.1	
OT 16-125E6-8	1,6-1,8 / 14-16	
OT 160	1 / 8.9	



M4x8
1,5 Nm
13.3 lb.in

S = max 5 mm / 0.2 in

18,5 mm min / 22 mm max
0.73 in min / 0.87 in max
OHB: 275 min 21-24 mm / 0.83-0.94 in



OH_45...275_

OH_45...275_T

OH_45...275_E20

OH_45...275_E20

OH_45...275_TE20

Ø5...10 mm
0.20...0.39 in