

# Single Pole Devices and Temporary Power Series 18 - 300A, 600V AC/250V DC

# HUBBELL

## Male Plug

### Features

- Easy Grip Housing
- Non-Conductive Retaining Screw locks contacts in place
- Large Raised Alignment Arrow aids in the mating of devices



### Ordering Information

Description	Device Color	UPC Number	Catalog Number
300A, thermoplastic elastomer, cable size #2 - 2/0 AWG	Black	78358553927	HBL18300MBK

### Listings

UL and cUL Listed  
UL Enclosure Types 3R, 4X, 12  
National Electric Code (NEC), ANSI/NFPA 70

### Specifications

Base Compound	Thermoplastic Elastomer
Contact Material	Brass
Retaining Screw Material	Nylon

### Performance

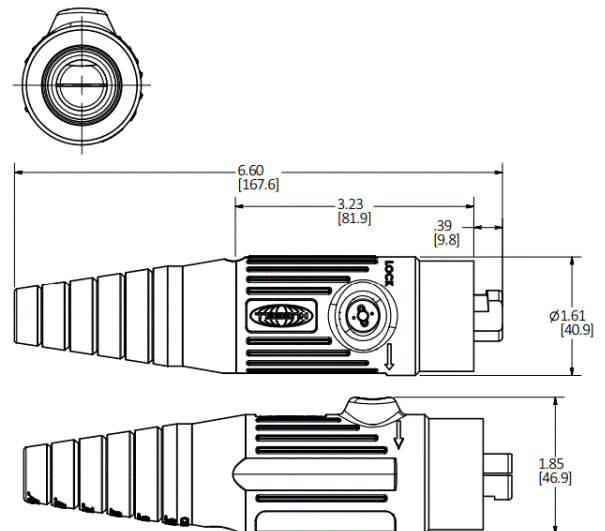
<b>Electrical</b>	
Amperage Rating	300A Maximum
Voltage Ratings	600V AC Maximum; 250V DC Maximum

<b>Mechanical</b>	
Product Identification	Ratings are a permanent part of device
Terminal Accommodation	#2 to 2/0 AWG

<b>Environmental</b>	
Flammability	HB per UL94 or CSA 22.2. 0.17

### Online Resources

eCatalog



Dimensions in Inches (mm)

Hubbell Wiring Device-Kellems • Hubbell Incorporated (Delaware) • 40 Waterview Drive • Shelton, CT 06484

Phone (800) 288-6000 • Fax (800) 255-1031 • Specifications subject to change without notice.

