

Retrofitting fluorescent troffers has never been easier.

LED Troffer Retrofit provides a simple, cost-effective upgrade.

TROFFER RETROFIT



Visit rclighting.ca
to see which models are
DLC Premium or DLC listed.

R  **C**
LIGHTING
RCLIGHTING.CA • 888 722-1000

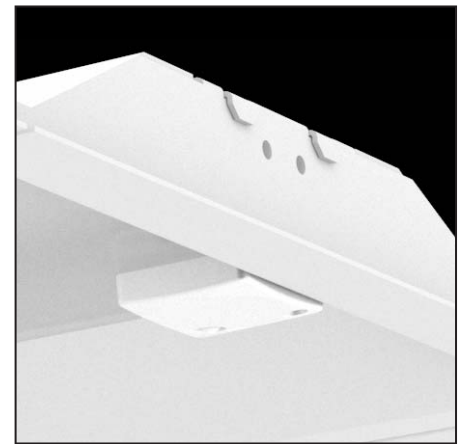
TROFFER RETROFIT



- The Troffer Retrofit can be installed in under 3 minutes by 1 person
- High efficacy, up to 142 lm/W
- Available in 3 sizes and 4 wattages: 2x2 (19W and 29W), 1x4 (19W and 29W), and 2x4 (39W and 49W)
- Frosted polycarbonate lens provides a uniform distribution and reduces glare
- 0-10V dimming standard on all models



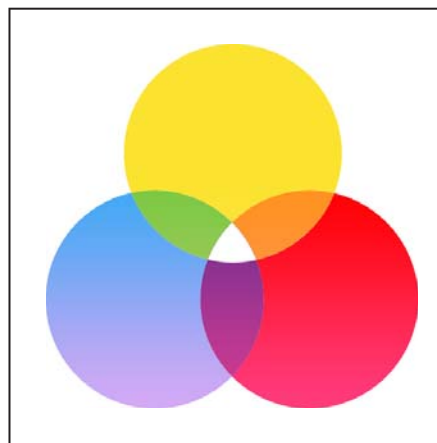
The Troffer Retrofit center-basket design includes a diffused lens that delivers soft, even ambient light.



Increase savings even more with a microwave occupancy sensor so that lights only remain on in occupied areas.



Troffer Retrofit can be installed by just one person in under 3 minutes, drastically reducing labor costs.



A 90 CRI option is available for applications where high color fidelity is critical.



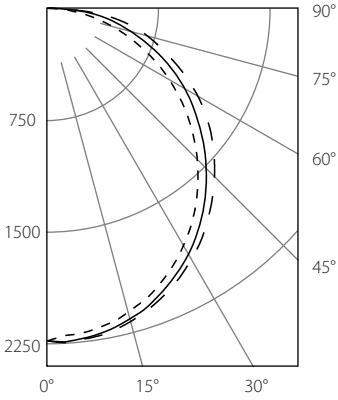
Upgrading to LED not only provides significant energy savings, but also reduces relamping costs with a lifespan 3 times longer than fluorescent tubes.

Photometrics

Specifications

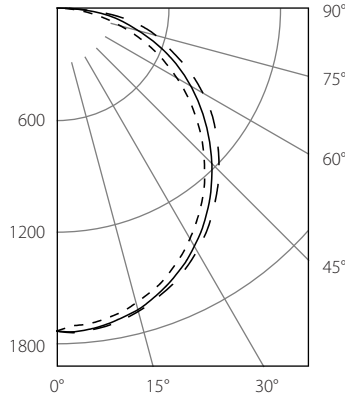
RTLED2x4-49 RCL

Photometric Report #RC03243



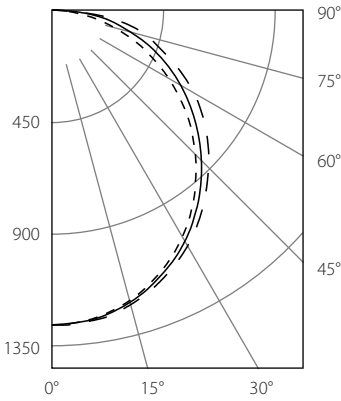
RTLED2x4-39 RCL

Photometric Report #RC03264



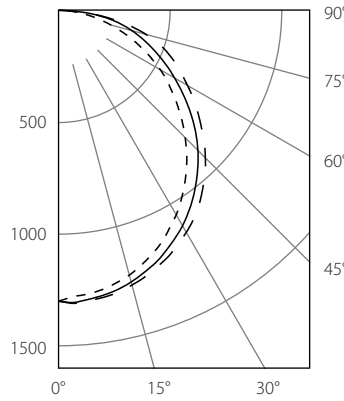
RTLED2x2-29 RCL

Photometric Report #RC03239



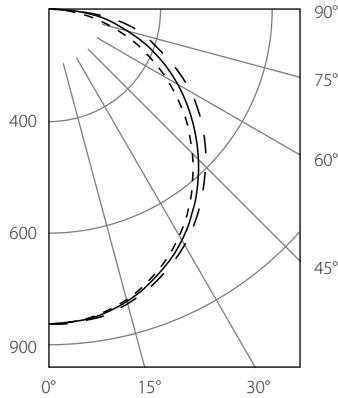
RTLED1x4-29 RCL

Photometric Report #RC03317



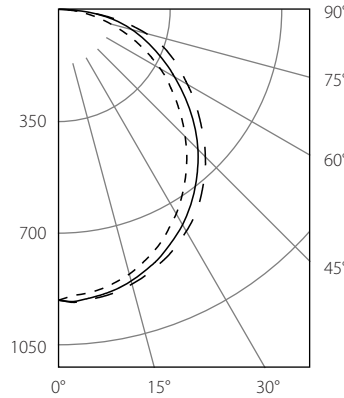
RTLED2x2-19 RCL

Photometric Report #RC03220



RTLED1x4-19 RCL

Photometric Report #RC03313



RTLED2x4-49W

Color Temp	5000K	4000K	3500K	3000K
Input Watts	50	49	49	49
Output Lumens	6779	6698	6611	6399
Lumens Per Watt	135	137	135	130
Color Accuracy (CRI)	85	84	84	84

RTLED2x4-39W

Color Temp	5000K	4000K	3500K	3000K
Input Watts	40	39	40	40
Output Lumens	5332	5269	4970	4995
Lumens Per Watt	135	135	126	126
Color Accuracy (CRI)	85	84	84	84

RTLED2x2-29W

Color Temp	5000K	4000K	3500K	3000K
Input Watts	29	29	29	29
Output Lumens	3847	3801	3653	3604
Lumens Per Watt	133	133	124	124
Color Accuracy (CRI)	85	84	84	84

RTLED1x4-29W

Color Temp	5000K	4000K	3500K	3000K
Input Watts	30	29	29	29
Output Lumens	4038	3991	3846	3706
Lumens Per Watt	137	138	130	129
Color Accuracy (CRI)	85	84	84	84

RTLED2x2-19W

Color Temp	5000K	4000K	3500K	3000K
Input Watts	19	19	19	19
Output Lumens	2537	2507	2365	2377
Lumens Per Watt	131	131	122	122
Color Accuracy (CRI)	85	84	84	84

RTLED1x4-19W

Color Temp	5000K	4000K	3500K	3000K
Input Watts	19	19	19	19
Output Lumens	2733	2701	2548	2419
Lumens Per Watt	142	142	132	125
Color Accuracy (CRI)	85	84	85	83

Ordering information

Product Family	Size	Wattage	Color Temperature	Finish	CRI	Options	Suffix
RTLED				W			RCL
	1x4	19	19W (1x4, 2x2)	Blank	5000K	Blank 80 CRI /D10	0-10V Dimming
	2x2	29	29W (1x4, 2x2)	N	4000K	/HC 90 CRI* /D10/LC	0-10V Dimming w/ Lightcloud® Controller
	2x4	39	39W (2x4)	YN	3500K	/D10/E2	0-10V Dimming w/ Battery Backup
	49	49	49W (2x4)	Y	3000K	/D10/MVS	0-10V Dimming w/ Microwave Sensor
						/D10/MVS/E2	0-10V Dimming w/ Microwave Sensor and Battery Backup
						/D10 BULK	0-10V Dimming (comes in qty6)

* 4000K only

cUL: Suitable for damp locations.

LEDs: Long-life, high-efficiency surface mounting LEDs

Lifespan: 60,000-hour LED lifespan based on IES LM-80 results and TM-21 calculations.

Driver (49W 2x4): Constant Current, Class 2, 120V-0.41A, 208V-0.24A, 240V-0.21A, 277V-0.18A

Driver (39W 2x4): Constant Current, Class 2, 120V-0.33A, 208V-0.20A, 240V-0.17A, 277V-0.15A

Driver (29W 1x4 & 2x2): Constant Current, Class 2, 120V-0.24A, 208V-0.15A, 240V-0.13A, 277V-0.11A

Driver (19W 1x4 & 2x2): Constant Current, Class 2, 120V-0.16A, 208V-0.10A, 240V-0.09A, 277V-0.08A

Ambient Temperature: Suitable for use up to 40°C (104°F) ambient temperatures

Housing: Steel sheet metal

Lens: Polycarbonate

Reflector: High-reflectance, powder-coated finish, optimized for uniform distribution

Mounting: Recessed ceiling

Finish: Formulated for high-durability and long lasting color

Color Stability: LED color temperature is warranted to shift no more than 200K in CCT over a 5 year period

Color Uniformity: RC's range of CCT (Correlated Color Temperature) follows the guidelines of the American National Standard for Specifications for the Chromaticity of Solid State Lighting (SSL) Products, ANSI C78.377-2017.

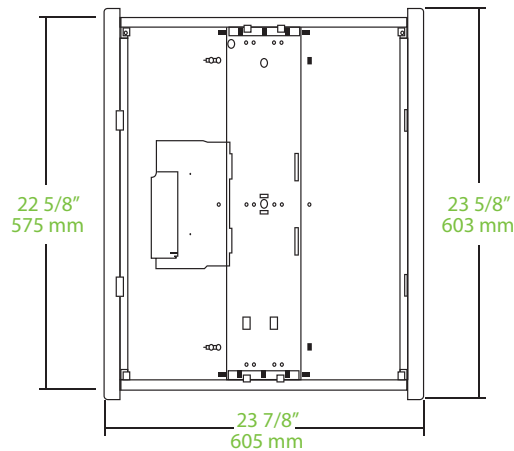
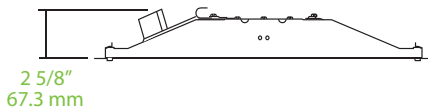
Green Technology: Mercury and UV-free. RoHS-compliant components.

IESNA LM-79 & LM-80 Testing: RC LED luminaires have been tested by an independent laboratory in accordance with IESNA LM-79 and LM-80.

Dimensions & Weight

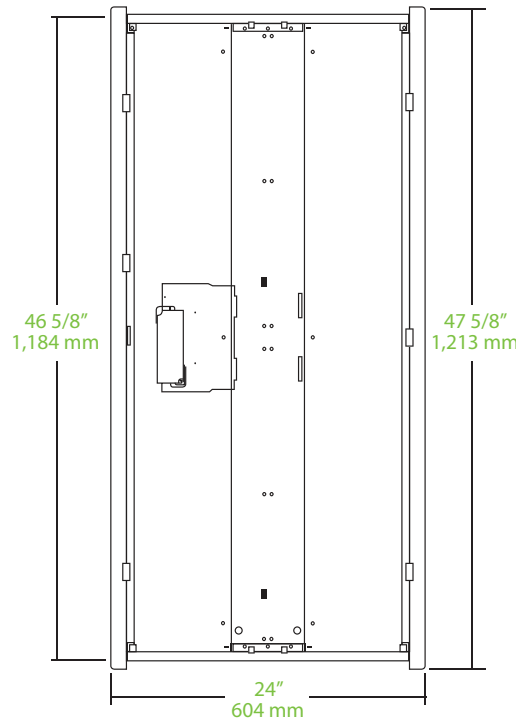
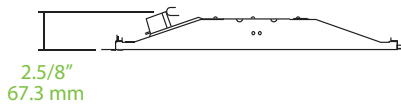
2x2

Weight: 6 kg



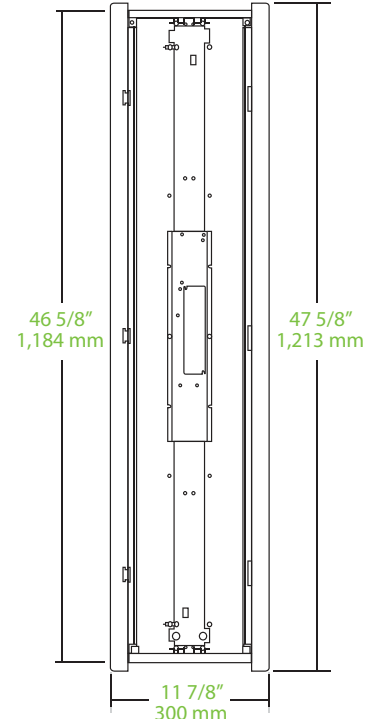
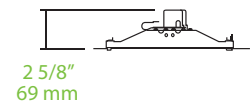
2x4

Weight: 10.2 kg



1x4

Weight: 5.5 kg



MARKHAM- HEAD OFFICE

115B Shield Court

Markham, ON

L3R 9T5

Toll Free Phone: 1-888-667-6632

MISSISSAUGA

6150 Kennedy Road, Unit 1

Mississauga, ON

L5T 2J4

Toll Free Phone: 1-888-670-5654

CAMBRIDGE

375 Sheldon Drive, Unit 3-4

Cambridge, ON

N1T 1B1

Phone: 519-231-0100