

BS400

PARKING GARAGE

Type: _____

Project: _____

Delivered Lumens:
3700 - 7200 lm

Input Wattage:
30W - 60W

Efficacy:
Up to 126 lm/W

Colour Temperatures:
3000K, 4000K, 5000K

Projected Lumen Maintenance:
L₉₀ @ >54,000 hrs.



Narrow 3" profile

Surface mount standard;
chain, trunion, aircraft cable
and pendant mounting
optional

The **BS400** is wet location, IP66 rated. Durable powder coated cast housing construction provides resistance against moisture, dust and corrosion.

The **BS400** is specifically designed to meet DLC standards for parking garages. Additional applications include under canopy in both indoor and outdoor environments.

Microprismatic polycarbonate diffuser provides optimized light distribution and glare reduction.

Configurations

MODEL	OPERATION	LUMENS	COLOUR TEMP	INPUT	MOUNTING	OPTIONS
BS400	HT (AC only)	LO (3700)	WT30 (3000K)	120-277V	blank (surface, std.)	FP (fuse protection)
	SA ¹ (AC & Emergency)	MO (5600)	WT40 (4000K)	347V	AC ² (aviation cable)	SP (5 kV at 10kA surge protection)
		HO (7200)	WT50 (5000K)		PK ³ (pendant kit)	IOSL ⁵ (integrated occupancy sensor)
					TM (trunion mount)	EM ⁶ (AC & Emergency)
					CH ⁴ (chain kit)	

NOTE¹: SA is not available in 347V, SA available in LO/MO models. For HO, choose EM option **NOTE²:** specify length for AC: 50", 72", 150", 250" **FULLY ADJUSTABLE;** **NOTE³:** PK option, min 6"; **NOTE⁴:** chain kit does not include chain (by others) **NOTE⁵:** IOSL is wet location rated, not IP66; **NOTE⁶:** EM option is for HO models, remote mounted

HOUSING:

- Cast aluminum
- Grey powder coat finish
- Durable silicon perimeter gasket

ELECTRICAL:

- AC Input: 120-277V, 50-60Hz
- AC Input: 347V, 50-60Hz

OPERATING TEMPERATURE:

HT: -40°C to +40°C
SA/EM: 0°C to +40°C

DIMMING:

0 - 10V dimming is standard, 10%-100%.
Compatible with most dimming systems.

DIFFUSER:

UV stabilized, microprismatic polycarbonate diffuser eliminates glare and enhances distribution.

MOUNTING:

Surface mount configuration is standard with a twist-lock mounting bracket. Additional mounting systems offered include aviation cable, chain, trunion and pendant.

POWER LINE/FEED:

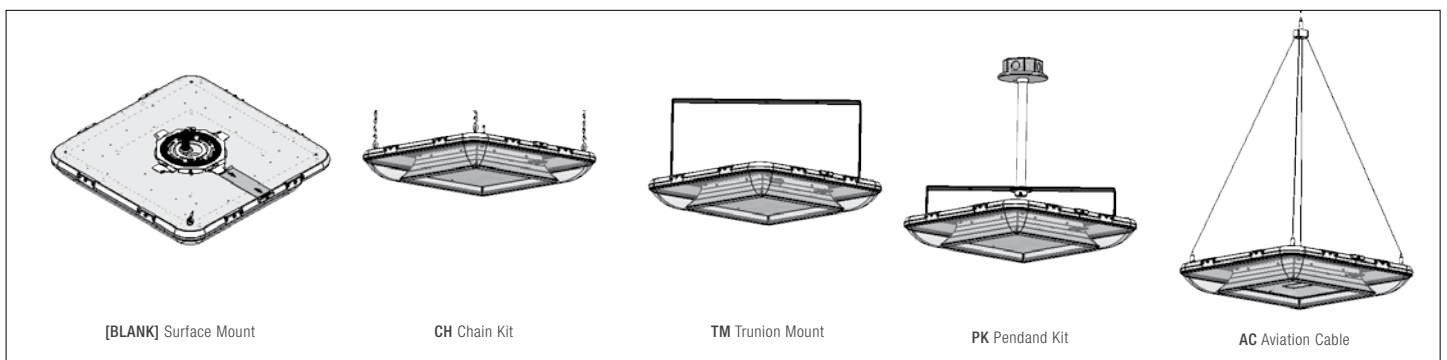
72" black, 18AWG, 300/600V, 5 conductor cord with 1/2" pre-stripped leads for quick in-field connection.

WEIGHT:

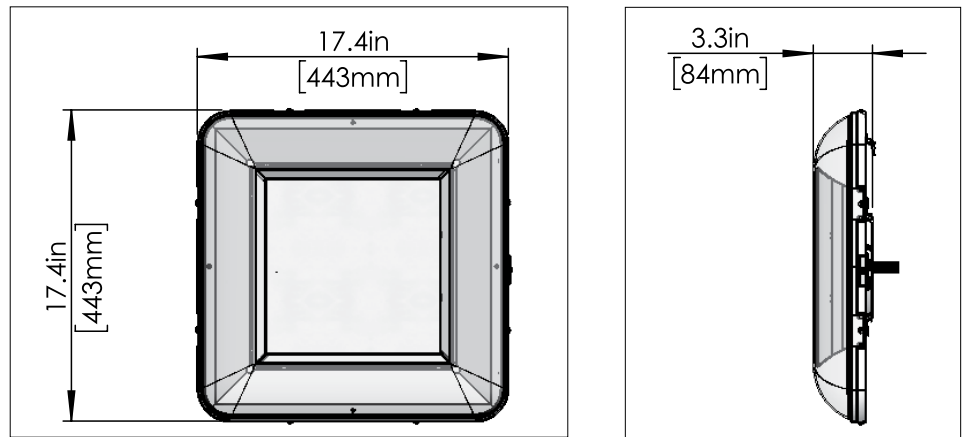
14 lbs. / 6.4 kg.

WARRANTY:

5 year LED warranty, see website for full warranty details.

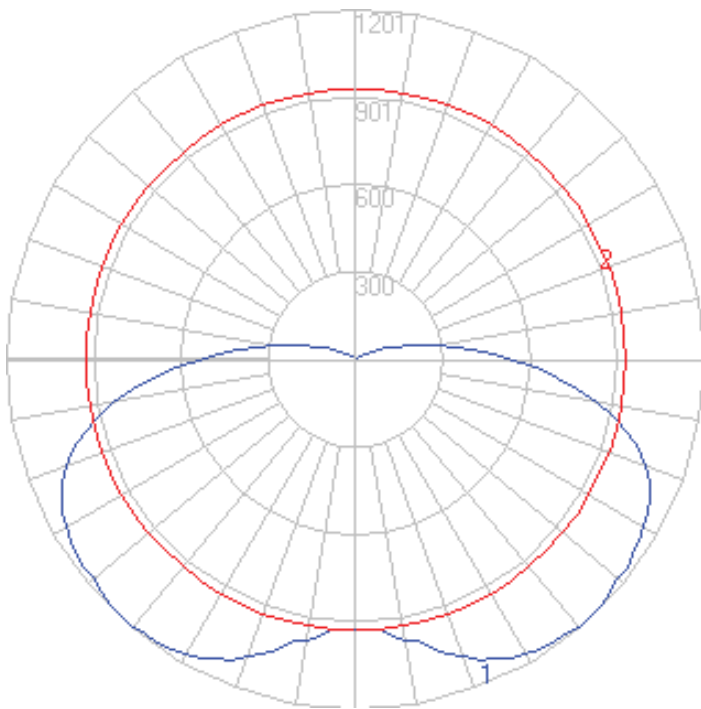


Dimensions



BS400LED-HT-HO-WT40

Luminous Intensity Distribution



Zonal Lumen Summary

ZONE	LUMENS	% LUMINAIRE
0-20	383	4%
0-40	1627	17%
0-60	3582	37%
60-90	3928	54%
0-180	7233	100%

PHOTOMETRIC DATA

Energy Chart

MODEL	EFFICACY	WATTAGE	LUMEN OUTPUT	CRI	L90 HOURS
BS400-HT-LO-WT30	119 lm/W	30	3571	+80	>54,000
BS400-HT-LO-WT40	125 lm/W	30	3753	+80	>54,000
BS400-HT-LO-WT50	126 lm/W	30	3779	+80	>54,000
BS400-HT-MO-WT30	119 lm/W	45	5358	+80	>54,000
BS400-HT-MO-WT40	125 lm/W	45	5632	+80	>54,000
BS400-HT-MO-WT50	126 lm/W	45	5671	+80	>54,000
BS400-HT-HO-WT30	115 lm/W	60	6880	+80	>54,000
BS400-HT-HO-WT40	121 lm/W	60	7233	+80	>54,000
BS400-HT-HO-WT50	121 lm/W	60	7282	+80	>54,000



MARKHAM- HEAD OFFICE
115B Shield Court
Markham, ON
L3R 9T5
Toll Free Phone: 1-888-667-6632

MISSISSAUGA
6150 Kennedy Road, Unit 1
Mississauga, ON
L5T 2J4
Toll Free Phone: 1-888-670-5654

CAMBRIDGE
375 Sheldon Drive, Unit 3-4
Cambridge, ON
N1T 1B1
Phone: 519-231-0100