

SPA HO

VANDAL RESISTANT LINEAR LED

Type: _____

Project: _____

Delivered Lumens:

2491 - 4970 lm

Input Wattage:

20W or 40W

Efficacy:

130 lm/W

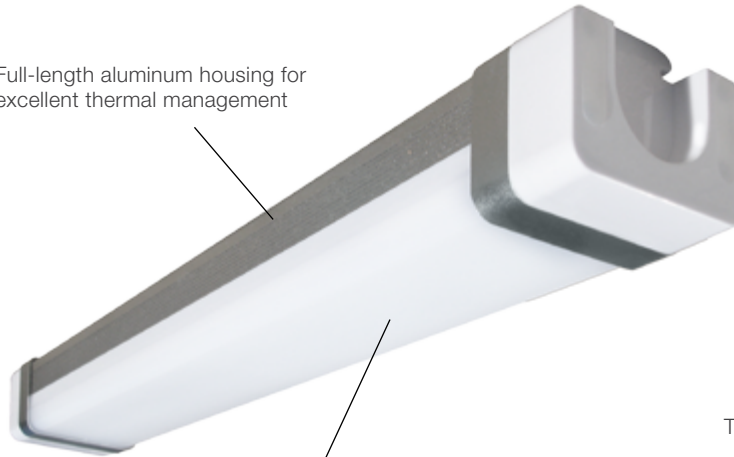
Colour Temperatures:

3000K, 4000K, 5000K

Projected Lumen Maintenance:

L₇₀ @ 50,000 hrs.

Full-length aluminum housing for excellent thermal management



Diffuser provides maximum efficiency with minimum glare



The **SPADA®** is vandal resistant, waterproof, dust tight and corrosion resistant

1-10V dimming is standard

IK10 rated strength

The vandal resistant design of the **SPADA®** makes it ideal for transit, stairwells, work stations, locker rooms, schools, breezeways, public areas and manufacturing facilities.

Configurations

MODEL	LENGTH	OPERATION	LUMENS	COLOUR TEMP	INPUT	OPTIONS
SPA	2' (2ft)	HT (AC only)	HO	WT30 ² (3000K)	120-277V	L ³ (linkable)
	4 (4ft)			WT40 (4000K)	347V	JM (junction mount)
				WT50 ² (5000K)		

NOTE¹: longer lead time for 2' lengths. Not available in 347V. **NOTE²:** longer lead times. **NOTE³:** not available with JM mounting **OPTION**.

Accessories*

MOUNTING
AC ⁴ (aviation cable)
CH ⁵ (chain hang kit)
DPK ⁶ (double pendant kit)

NOTE⁴: order separately; **NOTE⁵:** specify length for AC: 50", 72", 100", 150", 250", fully adjustable; **NOTE⁶:** brackets only, chain by others. **NOTE⁷:** specify length DPK option, min 6".

HOUSING:

Die-cast aluminum housing with UV stabilized polycarbonate lens and end caps. End caps are secured with tamper resistant screws. Perimeter gasket for IP66 ingress protection against dust and moisture.

ELECTRICAL:

Available in 3000K, 4000K or 5000K colour temperatures. High efficiency driver operates 100V through 277V or 347V, 50-60HZ.

L70 at 50,000 hours.

OPERATING TEMPERATURE:

-20°C to 40°C

POWER LINE/FEED:

60" type SJTW, four conductor, 18AWG, rated 105°C, 300V or 600V.

MOUNTING:

Surface mount configuration is standard with integrated stainless steel mounting brackets.

Other mounting options available include aviation cable (AC), chain hang (CH) and double pendant. Suspension height is to be specified when ordering any suspension mount units: AC & DPK. Junction mount (JM) configuration allows for direct mount to recessed junction box. JM voids IP66 rating and is suitable for damp locations.

DIMMING:

1-10V dimming is standard (compatible with most dimming systems, contact factory for more information).

WEIGHT:

7 lbs. / 2.8 kg.

LINKABLE CONNECTORS:

Screw type connectors and a 72" length of cable are provided with the **SPADA®** Linkable. The connectors are IP68 rated for wet locations. Maximum 10 fixtures per run. Cable may be field cut to length.

SANITATION LISTED (SL):

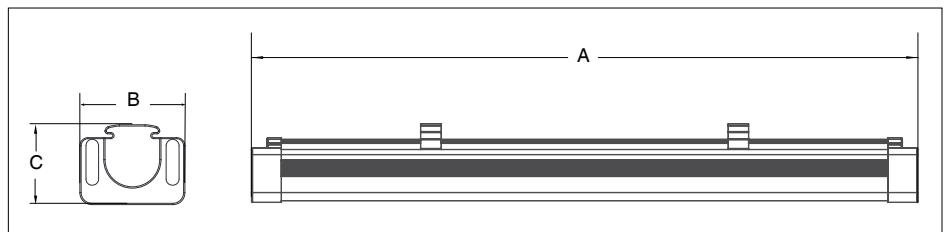
Equivalent to the NSF standard 2. The **SPADA®** is ideal for use in food service equipment environments.

WARRANTY:

5 year LED warranty, see website for full warranty details.

Dimensions

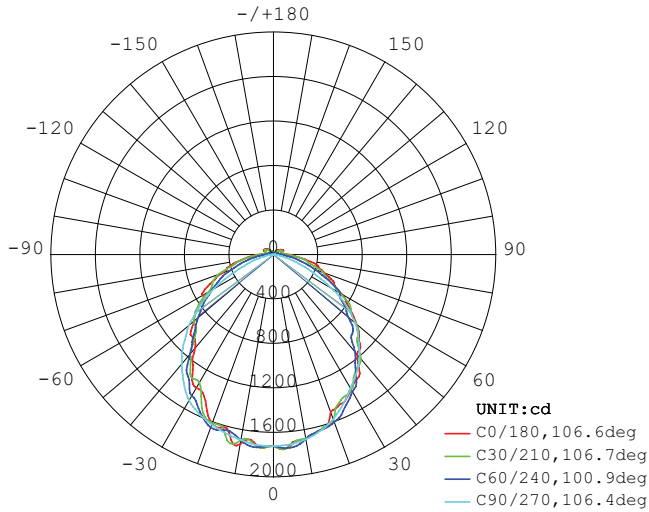
MODEL	A	B	C
SPA-2	600mm (23.6")	83mm (3.3")	63mm (2.5")
SPA-4	1200mm (47.2")	83mm (3.3")	63mm (2.5")



Spada® HO

SPA-4-HT-HO-WT40

Luminous Intensity Distribution



AVERAGE BEAM ANGLE (50%) : 105.1 DEG

CBCP (cd):	1753	CIE Class:	Direct
Efficiency Total:	100%	Lumen Rating:	4970
Efficacy Total:	130 lm/W	Input Wattage:	38W

Zonal Lumen Summary

ZONE	LUMENS	% LUMINAIRE
0-20	631	13
0-40	2146	43
0-60	3683	74
0-90	4701	95
90-180	269	5
0-180	4970	100.00

Energy Chart

MODEL	LENGTH	EFFICACY	WATTAGE	LUMEN OUTPUT	CRI	*L70 HOURS
SPA-2-HT-HO-WT40	2ft	122 lm/W	20	2491	80+	50,000
SPA-4-HT-HO-WT40	4ft	130 lm/W	38	4970	80+	50,000

*Projected

Options

